

Order form Construction machine cylinder gasket sets for diggers

Customer no...: _____

Company: _____

Street: _____

Postal code/city: _____

Contact: _____

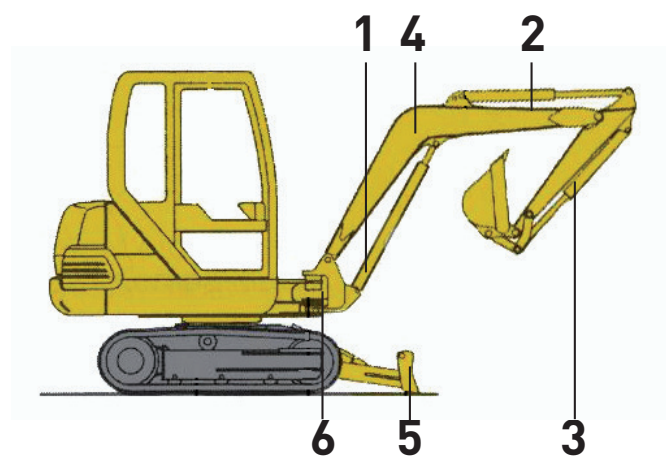
Telephone: _____

Manufacturer: _____

Model type + number: _____

Machine serial number: _____

Cylinder type	Drawing number	Item number, cylinder	OE item number, gasket set	Number of gasket sets	Piston rod Ø in mm	Cylinder barrel Ø in mm
Outrigger cylinder	1					
Arm cylinder	2					
Bucket cylinder	3					
Articulated outrigger	4					
Supporting dozer blade	5					
Slewing cylinder	6					


 Order placement

 Quotation

Date: _____

Signature: _____